

# AH111 Deedlock Reversible ANSI Mortice Electric Releases



**AH111**

*The Deedlock reversible ANSI Mortice Electric Release series can be used on either 12 or 24V DC, and are fail locked/fail unlocked changeable in the field. With a specially designed mechanism, these electric strikes can be suited to a wide variety of applications.*

The ANSI-sized electric releases are designed to be used with mortice night latches with a latch bolt projection of 15mm max. The units are designed to be used with most hollow metal/aluminum frames.

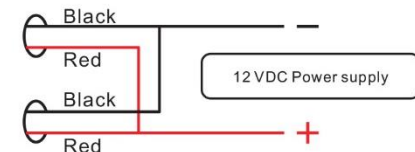
## Features & Benefits

- Holding Force – 4448N (1000lbf / 434kgf)
- Voltage 12/24V DC
- Fail locked/Fail unlocked changeable on site
- CE Marked
- Short and long Stainless steel plate supplied
- AH111M Monitored version available
- Optional extension lips available
- Tested to over 1 million cycles

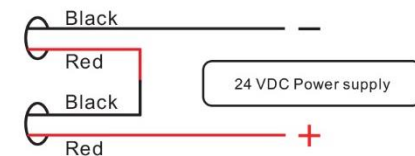
Stock Code	Description
AH111	ANSI Mortice Electric Release 12/24V DC Fail Locked/Unlocked, Short/Long Faceplate
AH111M	ANSI Mortice Electric Release 12V DC Fail Locked/Unlocked, Monitored, Short/Long Faceplate
AHLIP25	Extension Lip 25mm for AH111 and AH111M
AHLIP50	Extension Lip 50mm for AH111 and AH111M

## Dual voltage 12V or 24V wiring options

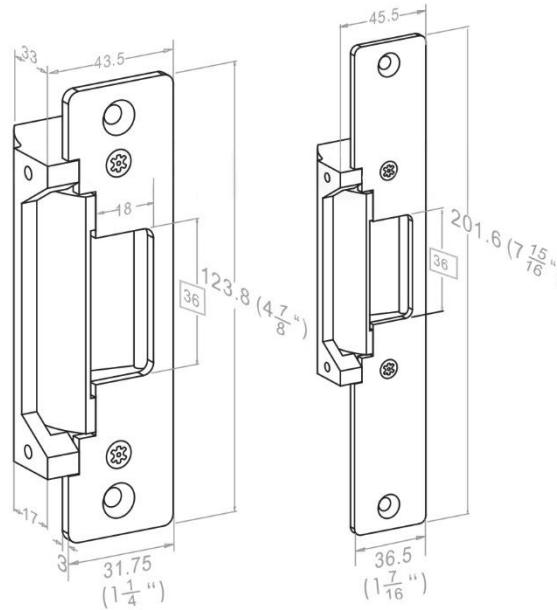
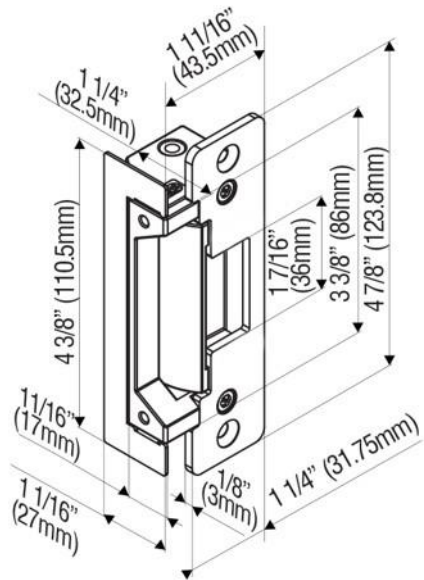
For 12 VDC Optional



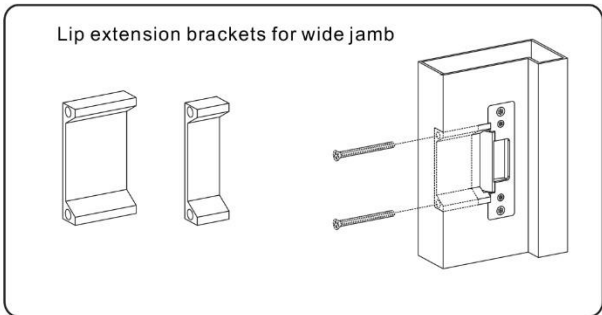
For 24 VDC optional



# AH111 Deedlock Reversible ANSI Mortice Electric Releases



Technical Information	
Operating Voltage	12V DC, 24V DC,
Voltage Tolerance	+/- 15%
Current Draw	250mA/12V DC 150mA/24V DC
Operating Temperature	-10°C~+45°C
Humidity	0~95%
Optional Lips	AHLIP25, AHLIP50
Material	Stainless Steel Faceplate, Aluminium Alloy Case
Net weight	243g



Field selectable by changing position of screws

