

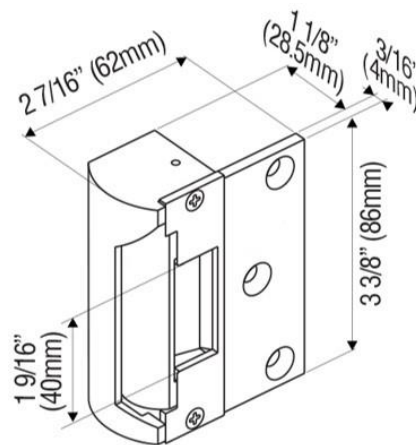
# AH113 Deedlock Rim Electric Release for Timber Frames



AH113

**The Deedlock Rim Electric Release can be used on 12V DC systems, and are fail lock/fail unlock changeable in the field. Suitable for use with most rim night latches on Inward opening doors.**

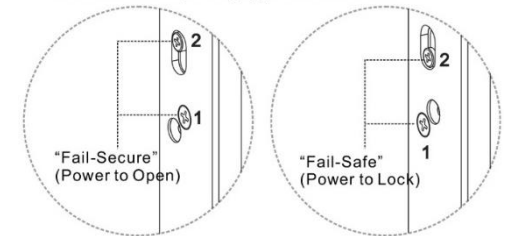
The electric release is designed to be used with rim night latches with a maximum latch bolt projection of 15mm.



## Features & Benefits

- Holding Force – 4448N (1000lbf / 434kgf)
- Voltage 12V DC – 250mA current draw
- Fail lock/Fail unlock changeable on site
- CE Marked
- Suits inward opening timber door
- Black finish with stainless steel jaw
- Tested to over 1 million cycles
- Operating temperature: -10°C~+45°C
- Net weight 220g

Field selectable by changing position of screws



Stock Code	Description
AH113	Rim Electric Release 12V DC Fail Locked/Unlocked for Inward Opening Timber Doors