

KAC Emergency Indoor Manual Call Points



Emergency Indoor Manual Call Points can be used in a variety of applications and are available in both green or white.

The plug and play design facilitates first fix capability and provides an easy to install solution of the highest quality and reliability – allowing emergency override of Electric Locking and Access Control systems.

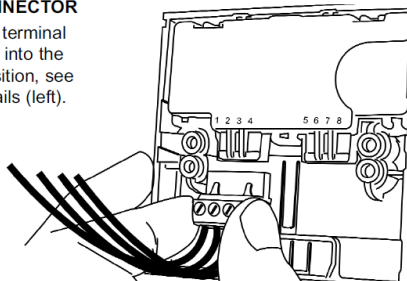
Available with either a break glass or plastic resettable panel which allows the unit to be easily re-set with the test key.

Features & Benefits

- Easy plug and play installation
- Available in single, double and triple pole
- Available with break glass or resettable
- Simple cable access
- Available in both white and green
- All products have been rigorously tested to ensure a long life
- Tamper resistant front
- Surface Mounted
- 3-year warranty

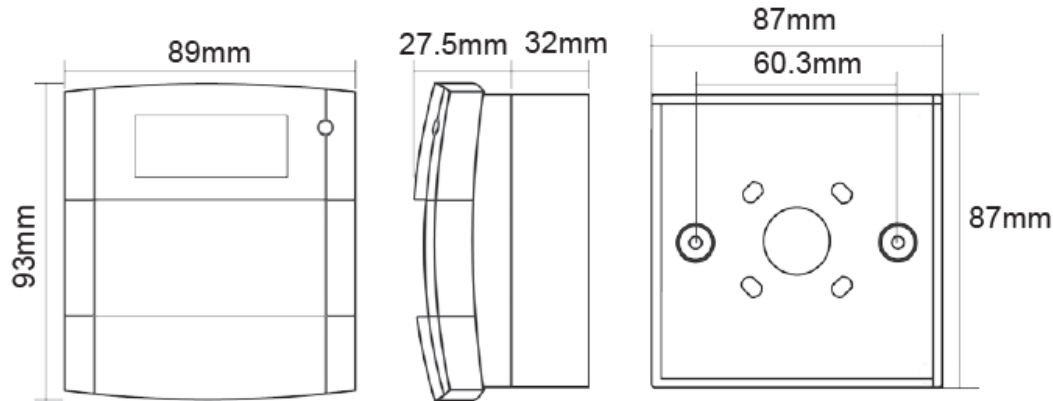
PUSH FIT CONNECTOR

After wiring the terminal connector, plug into the appropriate position, see connection details (left).



Stock Code	Description
AKA-MCP3A-SG	Green, Break Glass Call Point (Single Pole)
AKA-MCP3A-WSG	White, Break Glass Call Point (Single Pole)
AKA-MCP4A-SG	Green, Break Glass Call Point (Double Pole)
AKA-MCP4A-WSG	White, Break Glass Call Point (Double Pole)
AKA-MCP3A-GF	Green, Resettable Call Point (Single Pole)
AKA-MCP4A-GF	Green, Resettable Call Point (Double Pole)
AKA-MCP8A-GF	Green, Resettable Call Point (Triple Pole)
AKA-MCP8A-SG	Green, Break Glass Call Point (Triple Pole)

KAC Emergency Indoor Manual Call Points



Technical Information	
Maximum Voltage Range	30V DC
Current Rating	2 Amps @ 30V DC
Operating Temperature	-10°C to 55°C
Ingress Protection	IP24
Weight	180g
Material	PC/ABS

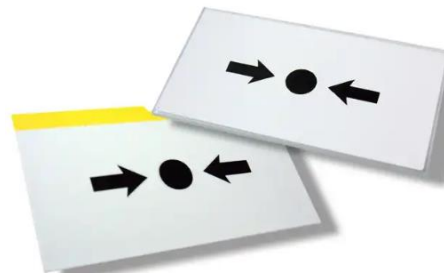
Accessories for MCP Call Points



AKA-SC070
Test/Maintenance
Key (Pack 10)



AKA-PS200
Transparent Hinged
Cover for MCP range



AKA-KG1 Spare Glass panel (top right)

AKA-PS210 Plastic panel (bottom left)