

ES1 Series

ES110

Series Electric Strike



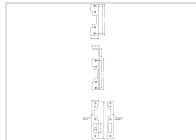
Application:

The ES110 is a cost efficient robust electric strike with a solid construction of one-piece cast aluminium body and stainless steel striker. Having a deeper than normal strike-keeper area, ES110 is designed to work with an extensive range of locks and offers the same level of security and reliability usually provided by more expensive electric locking solutions.

Extension lips are available to accommodate the installation of electric strikes on door frames with different thickness. The ES110 product range of patented electric strikes are suitable for use with all access control installations where flexibility, security and lower cost are required.

Specification:

- Fail safe/fail secure changeable on site
- Stainless steel striker for extra strength and durability
- Stainless steel locking pins
- Available in 12 or 24Vdc
- Optional mounting kit
- Installation template
- IP56 weather resistant model as standard
- Suitable For 18mm latch with a 3mm door gap
- Tricare 5 year warranty
- CE market to EMC Directive



Finish:

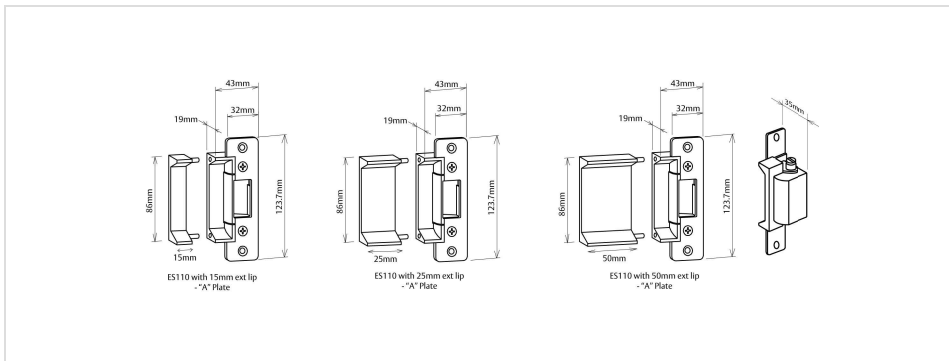
- Exposed areas
- High traffic areas
- Open in/open out doors
- Suitable for use with all access control systems

Standards:

Voltage	12 or 24Vdc
Current	243 mA @ 12Vdc - 187mA @ 24Vdc
Solenoid	Solenoids are rated for continuous use.
Monitoring	None
Holding Force	680kg Static Strength Rating
Endurance	Cycle tested to 1,000,000 operations
Environment	Operational temperature range -20°C to + 60°C Weather resistant construction available. (IP56)
Body	Cast Aluminium Construction
Keeper	Stainless Steel
Latch	Suit 18mm latch with 3mm door gap



Technical Design:



ES1 Series

ES110

Series Electric Strike



ASSA ABLOY

Variants:

Code	Description
110111-060M	Trimec ES110 Strike Mortice 12/24v DC PTL/PTO Short/Long Faceplate SS
110111-150M	Trimec ES110 Strike Mortice 12/24v DC PTL/PTO Short/Long Faceplate SS - Lipless
110111-160M	Trimec ES113 24v DC Fail Unlocked Long Faceplate SS
110111-190M	Trimec ES110 Strike Mortice 12/24v DC PTL/PTO Short/Long Faceplate SS - Lipless
110112-060M	Trimec ES113 24v DC Fail Locked Short Faceplate SS
110112-140M	Trimec ES110 Strike Mortice 12/24v DC PTL/PTO Short/Long Faceplate SS
220200-518	TRIMEC Mounting Kit - ES100/110
220110-502	TRIMEC ES110 15MM Extension lip
220110-503	TRIMEC ES110 25MM Extension lip
220110-504	TRIMEC ES110 50MM Extension lip
210100-523	TRIMEC PL-ES1-TJAA
210100-527	TRIMEC PL-ES1-TGAS
210100-528	TRIMEC PL-ES1-TFAS
210100-530	TRIMEC PL-ES1-TBBS
219100-532	TRIMEC ES100 UK Sash SS Small Right
219100-534	TRIMEC ES100 UK Sash SS Small Left
219100-538	TRIMEC PL-ES1-TDAS RH
219100-539	TRIMEC PL-ES1-TEAS LH