

ES2 Series

ES2600

Series Monitored Electric Strike



Application:

The ES2600 Series surface mounted electric strikes are high security products manufactured from stainless steel and designed to be used with existing and new panic bars fitted to emergency doors.

When used in conjunction with a standard access control system, these strikes convert "Exitonly" doors with "Pullman type" latches into a full access controlled door, thereby allowing authorised access from the secure side. The ES2600 series are fully monitored with both solenoid and latch/door monitoring functions and can be changed from fail safe to fail secure on site.



Specification:

- Fail safe/fail secure changeable on site
- High security
- Available in 12 or 24Vdc
- 650kg holding force
- 1 million cycles endurance rating
- Body depth only 27mm
- Cast stainless steel body
- Low current consumption -max 175Ma @ 12Vdc
- Continuously rated solenoid
- Installation template
- Tricare 5 Year Warranty
- CE marked to EMC Directive

Finish:

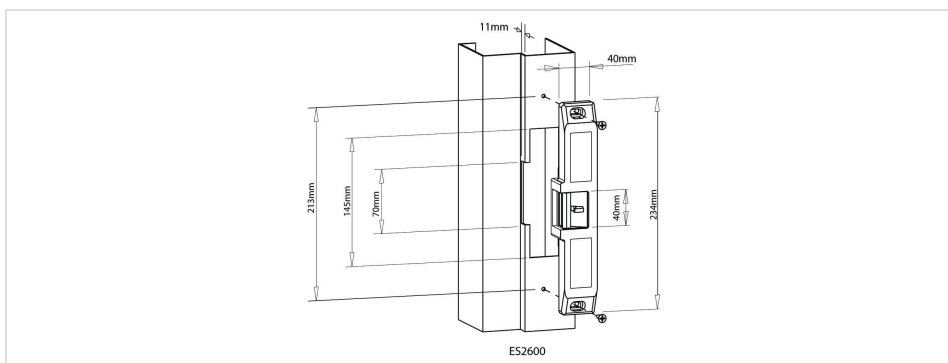
- For use with panic bars (should be tested as part of EN1125 where standard in force)
- Surface mount
- Egress doors
- Open out door sets
- Suitable for use with all access control systems

Standards:

Voltage	12 or 24Vdc
Current	175mA @ 12Vdc -88mA @ 24Vdc
Solenoid	Solenoids are rated for continuous use.
Monitoring	Solenoid Monitor - 1amp NO/NC microswitch Door/Latch Monitor - 1amp NO/NC microswitch
Holding Force	650kg static strength rating
Endurance	Cycle tested to 1,000,000 operations
Additional	Anti friction roller (patented) Suits panic bars with 15 to 20mm Pullman latch projection
Environment	Operational temperature range -20°C to +60°C
Body	Solid Stainless Steel Construction
Keeper	Stainless Steel
Latch	Suit 15-20mm pullman latch



Technical Design:



Variants:

Code	Description
112601-000	TRIMEC ES2601-T