



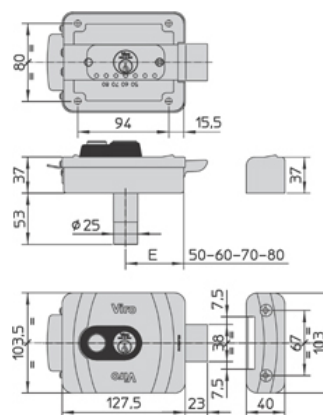
V9083 WITH PUSH BUTTON - ROTATING DEAD-BOLT - DOUBLE FUNCTION



V9083 electric lock with push button is suitable for manual or automatic outside doors and drive-through gates and is interchangeable with the previous V90 (7920 series) and V83 (7910 series) electric locks. It is standard supplied with the service function and, by simply removing an internal part, can also operate with the security function. Characteristics and finish make it ideal for installation even in surroundings subject to considerable temperature ranges.

- **Installation:** horizontal.
- **Backset:** adjustable 50-60-70-80 mm, by means of a simple operation using the Allen key provided.
- **Functions:**
 - **service** (standard): the lock opens with the electric impulse and only resets once the door/gate has been opened and then closed. It is therefore suitable for use with doorclosers and/or all types of automation systems.
 - **security** (selected by manually removing an internal part): the lock opens only when electric impulse and manual or automatic pressure are applied simultaneously. It is therefore not advisable to use it with a doorcloser and/or unsuitable automation systems.
- **Double replaceable coil:** which distributes the load uniformly and ensures a long working life.
- **Voltage:** standard 12V AC (on request 12V DC; 24V AC or DC).
- **Case:** one-piece galvanized steel.
- **Cover with handle:** galvanized steel.
- **Push button:** brass, with nylon cylinder ring nut/push button.
- **Rotating dead-bolt:** AISI 304 inox stainless steel high resistance, double tightness dead-bolt.
- **Cylinders:** solid brass, fixed internal, fixed external.
- **Keys:** supplied with 3 Viro profile nickel-plated brass keys.
- **Mechanism:**
 - if the key is turned from the inside, it is possible to:
 - block or activate the button function;
 - block or activate the "dogging device" function;
 - brass pins;
 - mushroom brass counterpins, pick-resistant;
 - phosphor bronze pin springs.
- **Striker:** galvanized steel, to ensure the correct working of the lock even if there is vertical adjustment between the lock and the striker (caused by weather changes).
- **Supplied with:** galvanized steel striker for horizontal installation, Allen key for backset adjustment and fixing screws.
- **Packaging:** single box.
- **On request:**
 - for horizontal installation: galvanized steel roof-plate and striker plate (item 9990);
 - versions with 63 mm (item 9083.0793.P) or 72 mm (item 9083.0797.P) external cylinder.
 - available [anthracite metallic painted versions](#), add the required color code **.469** to the item code.

[All special executions are possible for the cylinder.](#)



V9083 WITH PUSH BUTTON - ROTATING DEAD-BOLT - DOUBLE FUNCTION

Item No.	Adjustable backset mm E	Internal cylinder (fixed) Item No.	External cylinder (fixed) Item No.	Unit weight g
9083.0794.P	50-60-70-80	791	794	1670