



Slidelock with Rollaway Pin



Optional Slidelock with Fixed Pin



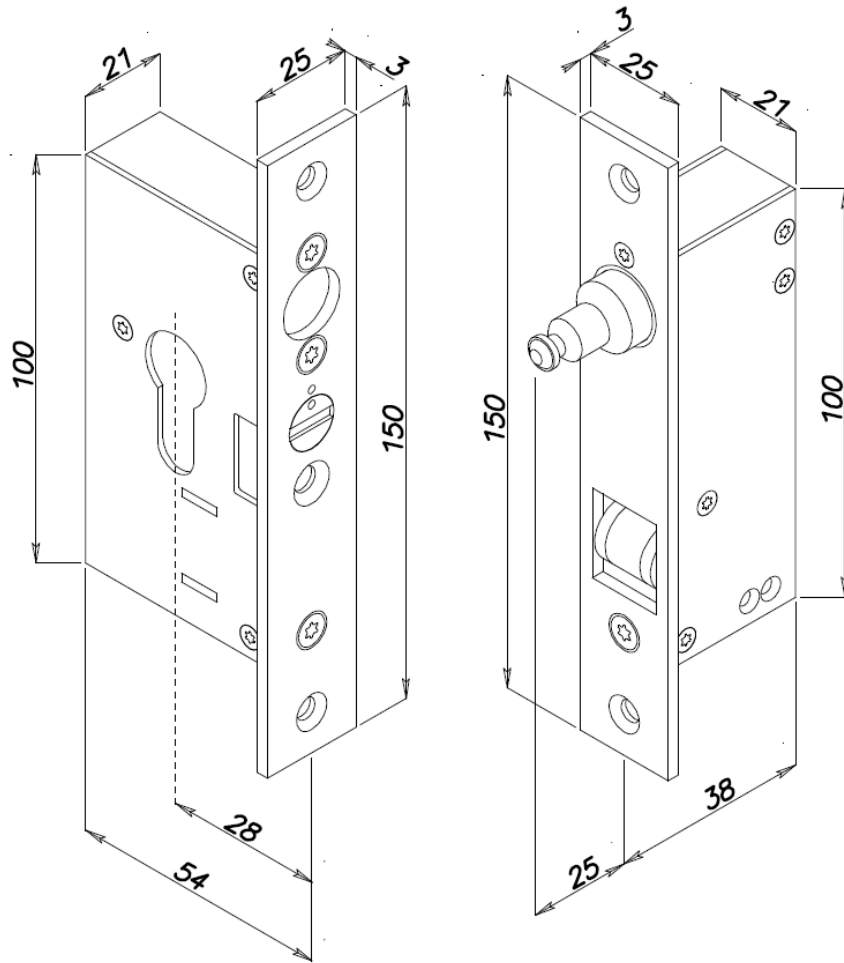
***The Slidelock for Sliding Doors can be electrically controlled linked to any access control system.***

The lock is supplied with a roller pin which is captured within the electric lock installed into the door frame or second leaf. When the door is open the pin is recessed into the door and as the door presses onto the second door or frame the pin extends into the lock. If required a fix pin option is available.

#### Features & Benefits

- Manual activation with European Cylinder
- Stainless Steel Front Plate
- Concealed pin releases when the door is closed
- Pin diameter 9.5mm, extension 25 mm
- Power supply: 12 or 24V dc
- Current absorbed 1000 mA at 12 V / 500 mA at 24 V
- Slidelock forend is constructed of Stainless Steel for exposed weather conditions
- Strength of resistance to breaking and entering: 800kg (7848N)

Slidelock with Rollaway Pin



Slidelock with Visible Pin

