

Deedlock Mortise Solenoid Bolts and Surface Housings



AER180



AER134

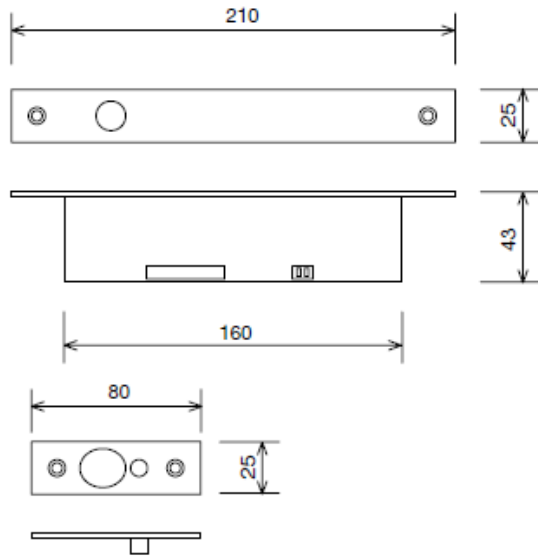
Deedlock mortise solenoid bolts provide a high level of security using a strong steel bolt which provides a secure physical barrier.

They are suitable for use with most forms of access control but due to the high level of physical security are more appropriate for high security access control systems such as card & pin or proximity & pin.

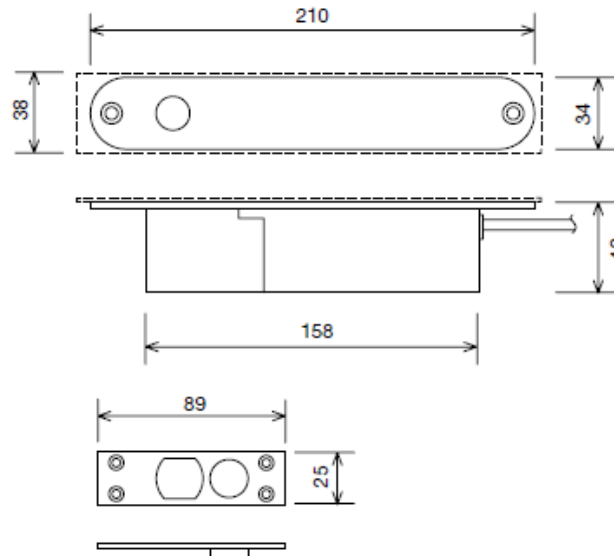
Features & Benefits

- 2000lbs Minimum holding force
- Fail unlocked
- Operating Voltage: 12V DC
- Kick-in Current: 1A at 12V
- Holding Current: 300mA
- CE Marked
- High security physical barrier with holding forces up to 2000lbs
- Fully concealed installation suitable for timber and metal doors
- Stainless steel surface housing available for AER134
- Suitable for single or double swing doors
- Dual monitoring of the door position and bolt position
- Variable auto re-lock time
- Satin anodised aluminium or stainless steel finishes

Deedlock Mortice Solenoid Bolts and Surface Housings



AER180



AER134



AER134H



AER195G/F

Stock Code	Description	Faceplate width (mm)	Auto re-lock time (s)
AER134	Mortice Solenoid Bolt	38	0/2.5/5
AER180	Slimline Mortice Solenoid Bolt	25	0/3.6/9
AER134H	Surface Housing Kit (Stainless Steel) for AER134		
AER195G/F	Surface Mounting Glass Fixing Kit for AER134		