

Microswitched Push Bar

Double-Pole Microswitch Version

The Mechanical Micro Switch Bar is focus on emergency exit doors (or other large-scale type doors) , with a pressure push immediately cut the interior micro switch unlocking the electromagnet lock or other similar devices.

875(L)*66(W)*61.5mm(D)
 Finish: Clear anodized
 Switch rated 5 Amp/125VAC

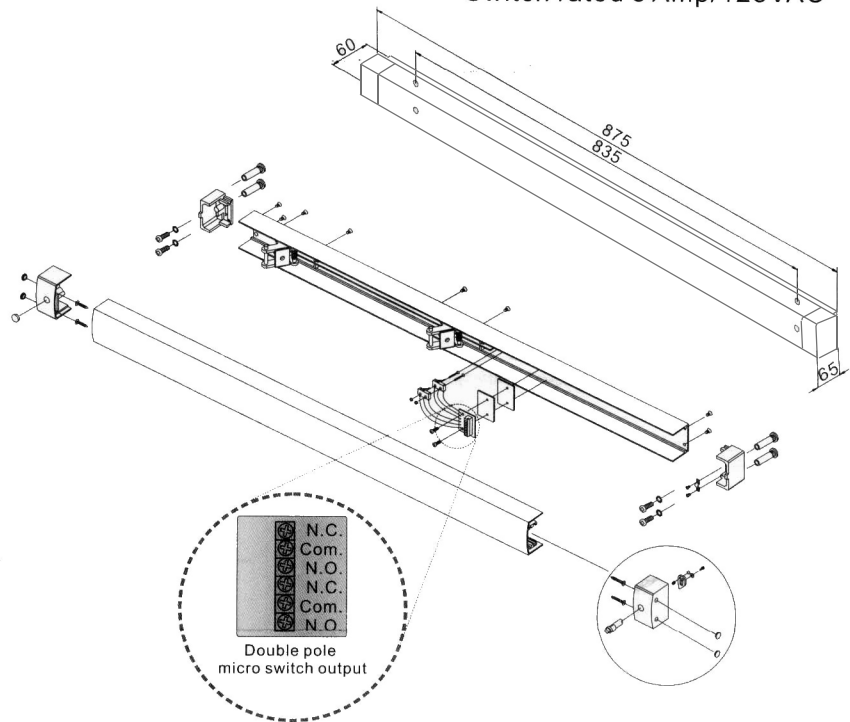
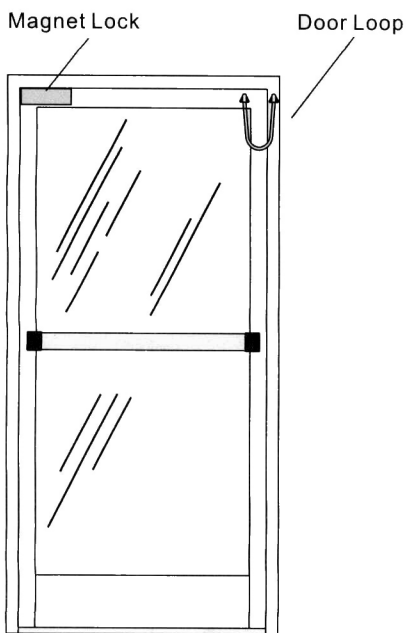
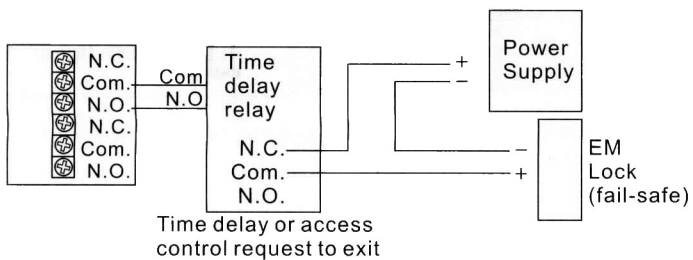
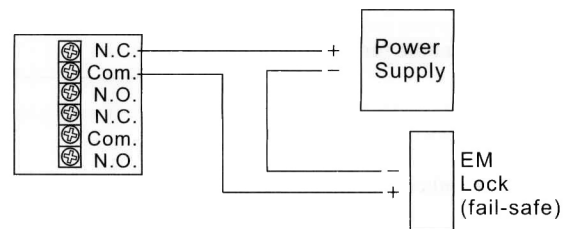


Fig.A



Directly control the fail-safe magnet lock

Fig.B



Connect to the request-to-exit contact