



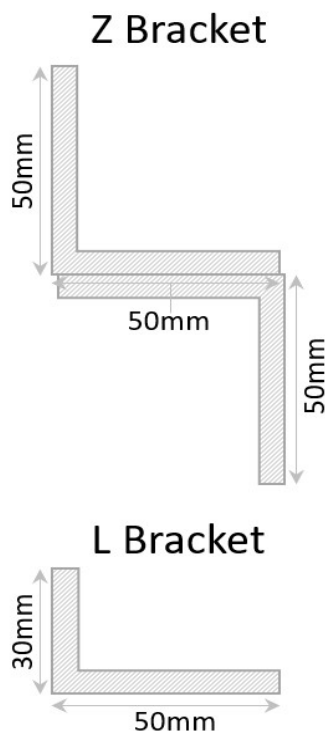
# ZL BRACKETS FOR EXTERNAL MAGLOCK (600LB)

**MAGNETIC LOCK**

External range of maglocks and brackets from a market leader in access control.



**BKEX600ZL**



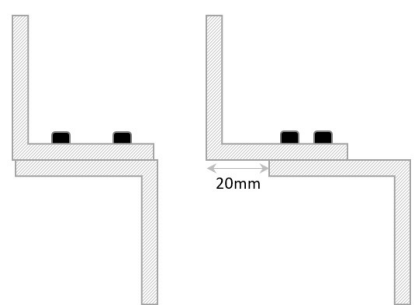
| SPECIFICATION | FEATURES | OTHER PRODUCTS |
|---------------|----------|----------------|
|---------------|----------|----------------|

**BKEX600ZL**

- Fully adjustable brackets
- Suitable for RGL Slimline External Maglocks - inc: EXML600-GATE & EXML600-GATE-M

**BKEX600ZL**

- ZL bracket for use on inward opening gates
- Anodised aluminium finish
- Z Bracket can provide an extra 20mm of reach for non standard door settings



| DIMENSIONS | CONTENTS |
|------------|----------|
|------------|----------|

**BKEX600ZL**

- 223x50x30 (mm) L Bracket (LxWxD)
- 200x50x50 (mm) Z Bracket (LxWxD)
- 715g Boxed

**BKEX600ZL**

- 1 x ZL Brackets
- 1 x Fixing kits



Manufactured by a BSIA Member