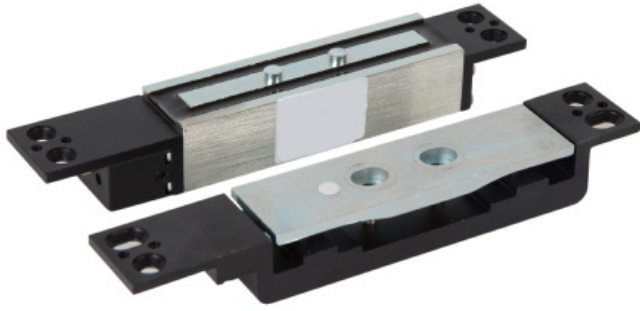




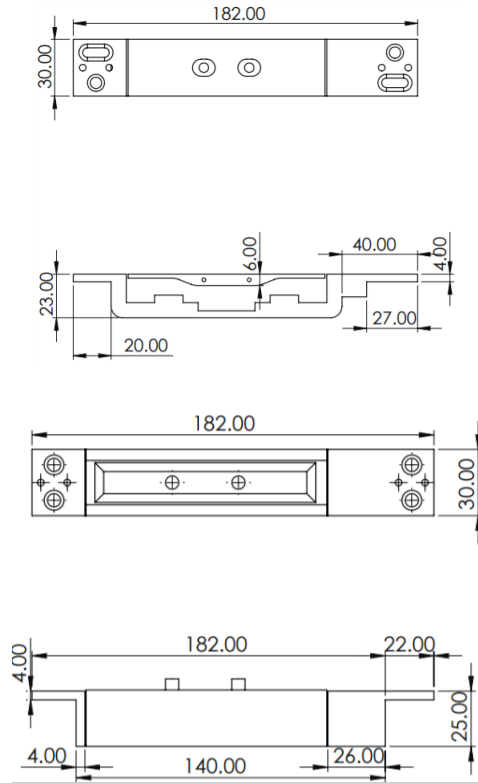
SHEAR LOCK (2600LB)

MAGNETIC LOCK

Market leading green dome button, that is both hard wearing and cost effective. Suitable for use in applications up to 30V.



MSL2600



SPECIFICATION

- MSL2600
- Door open delay timer (0.5-25 seconds)
 - Door position detection outputs
 - 12V or 24V DC (auto adjusting)
 - Operating current: 900mA @ 12 or 24V DC
 - Holding current: 220mA @ 12VDC/190mA @ 24VDC
 - Maximum shear force of 1200kg or 2600lb
 - Operating temperature: 0-90C
 - Monitoring relay: NO and NC contacts (rated 24V/1A)

FEATURES

- MSL2600
- Automatic repeated locking (maximum 60 times)
 - Suitable for wooden and aluminium door types
 - Made from fireproof materials
 - Magnetic distance (max)
 - 3mm @ 12VDC
 - 5mm @ 24VDC
 - For horizontal mounting only
- Suitable Brackets
- SH2600 (Surface Housing)
 - GD2600 (Glass Door Bracket)

OTHER PRODUCTS

- SH2600** 
- GD2600** 
- ML600** 

DIMENSIONS

- MSL2600
- 182x25x30 (mm)
 - 1.2kg (Boxed)
 - 582g (Unboxed)

CONTENTS

- MSL2600
- Magnetic Lock Body
 - Armature
 - Shims
 - Screw Pack



DU-GB/PTE

