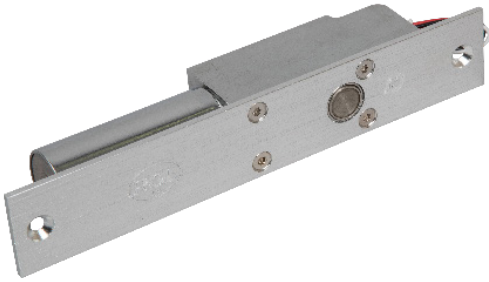


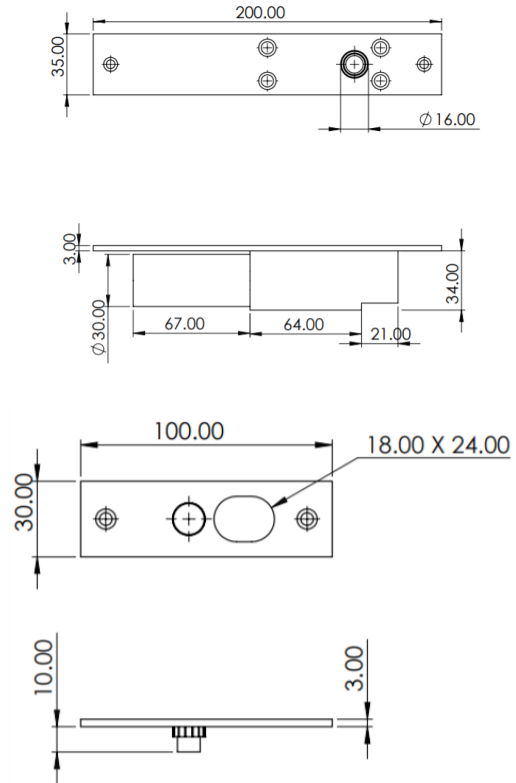


SOLENOID BOLT

DROP BOLT



SB-200LS



SPECIFICATION	FEATURES	OTHER PRODUCTS
---------------	----------	----------------

- SB-200LS
- Operating voltage: 12VDC
 - Standby current: 250mA
 - Operating current: 650mA
 - Power to lock
 - Holding force 1300lb / 600kg

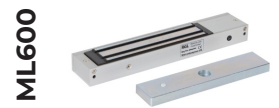
- SB-200LS
- Fail-safe operation
 - Delay timer (0/3/6/9) seconds
 - Locking by detector plate
 - Monitored output for door status (NO pair)
 - Suitable for wooden doors
 - Concealed when fitted flush



DIMENSIONS	CONTENTS	OTHER PRODUCTS
------------	----------	----------------

- SB200-LS
- 200x35x38 (mm)
 - 752g (Boxed)
 - 566g (Unboxed)

- SB200-LS
- Solenoid Bolt
 - Strike Plate
 - Screws



Manufactured by a BSIA Member