

Features

- All In One Solution – Lock & Access Control System
- Simple Installation – only basic tools required
- Can be installed at Factory or On-site
- Built in alarm functions
- Reads cards through 25mm of wood or glass
- Up to 25,000 operations battery life
- Up to 50 users per lock
- Audible confirmation of lock operation
- Integrated door closed sensor
- Mifare Card operation

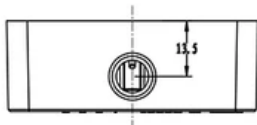
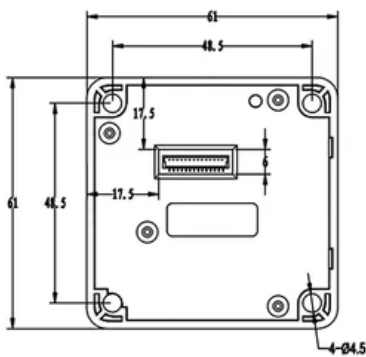
Applications

- Retail
- Health Care
- Commercial
- Residential
- Industrial
- Leisure
- Cash Handling
- Portable carry cases
- Jewellery Cases
- Display Cases
- Drug Cabinets
- Desk Drawers
- Key Cabinets
- Vending machines
- Machine Access Covers
- Filing Cabinets
- Lockers

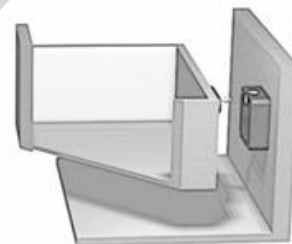


Detailed Specification

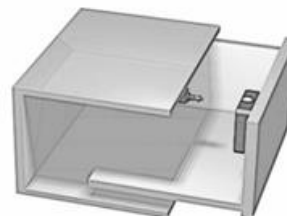
Battery Life / Operational Life	25,000 operations / 500,000 cycles
Holding force	Up to 100kg (Depending on installation / configuration)
Max Users	50 users max per lock
Operation Temperature	-10°C to +60°C
Fail State	Fail Unlocked
Battery Warning	Real Time Audible Battery Low Signal available on Fail Unlocked variant.
Standard Card / fob Read Range	Up to 25mm (including through wood or glass surface)
Card read time	Less than 500ms



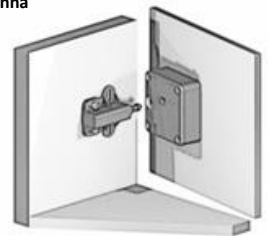
Sliding Door



Drawer Rear – may require additional antenna



Drawer Front - Wood



Hinged Door – wood

